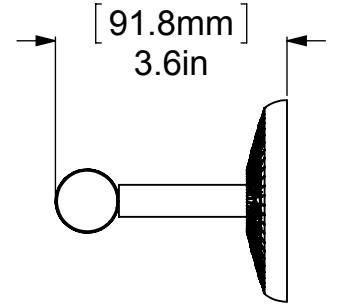
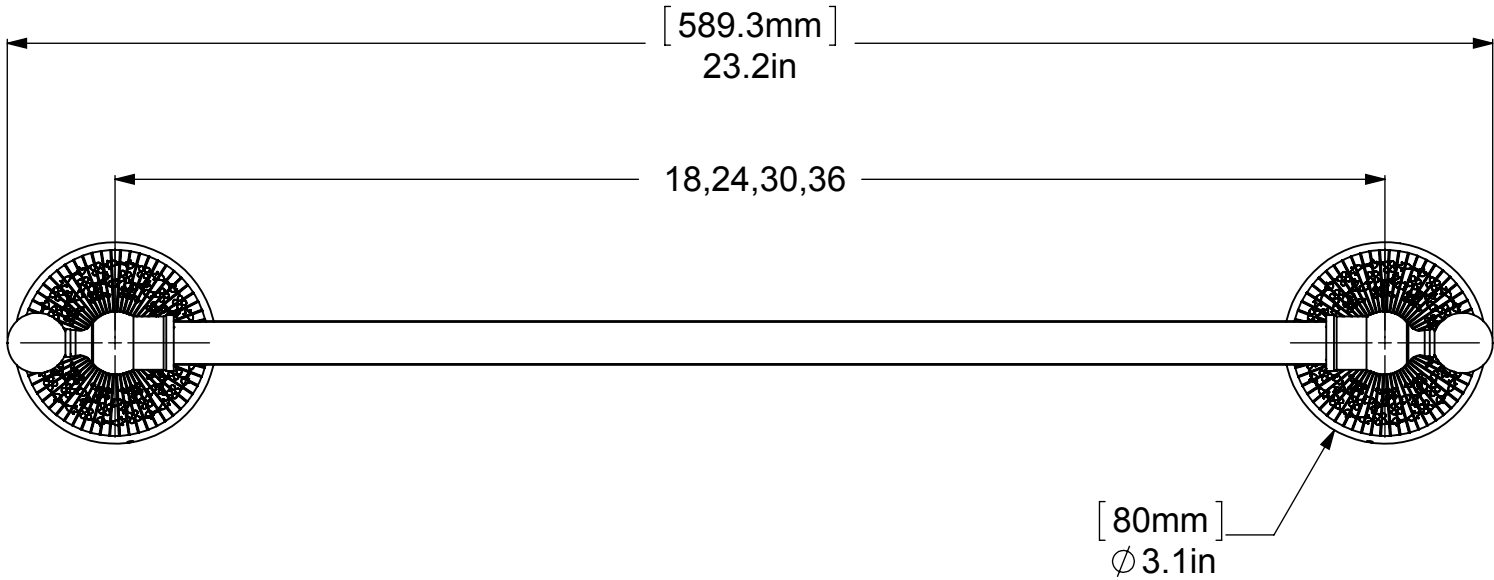
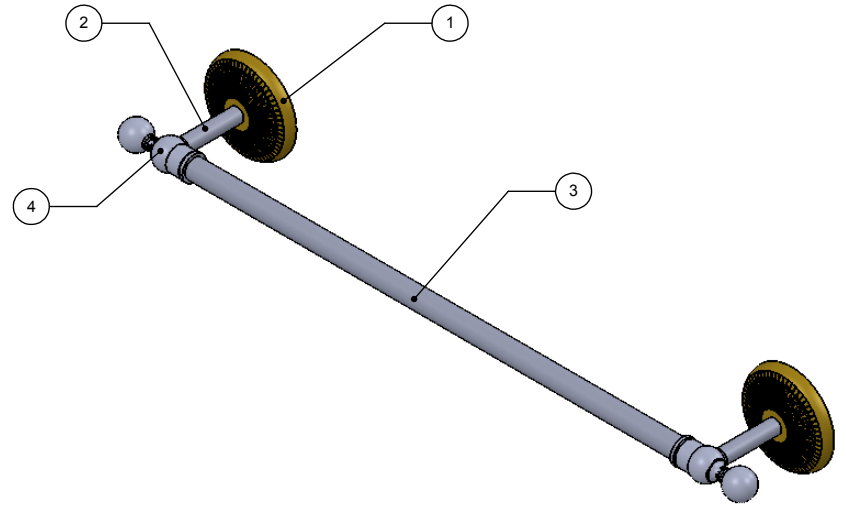


ITEM NO.	P/N	Description	QTY.
1	BPMC	BACKPLATE	2
2	TU12-2	POST	2
3	TU12-18,24,30,36	TUBE	1
4	BKSY-1	TUBE CAP	2

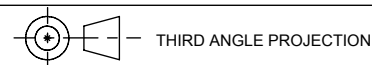


APPROVED FOR PRODUCTION
 By: RICHARD PAUL
 Date: 4-9-19

UNLESS OTHERWISE STATED

.X	±.3mm
.XX	±.15mm
.XXX	±.008mm

COPYRIGHT © Allied Brass 2019



DRAWN	4-9-19	I.M
CHECKED	4-9-19	P.D
APPROVED	4-9-19	R.A

MATERIAL:	BRASS
DESCRIPTION:	TOWEL BAR



FINISH	TBD
QUANTITY	TBD
DRAWING No.	REV
MC-41	0
SCALE	1:3
SHEET: 01	A4